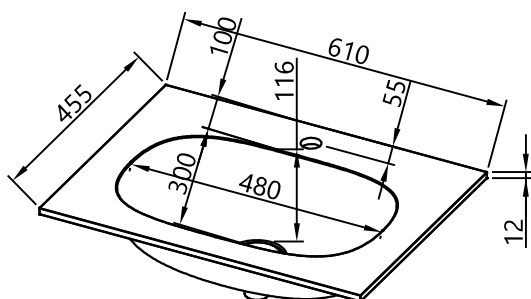
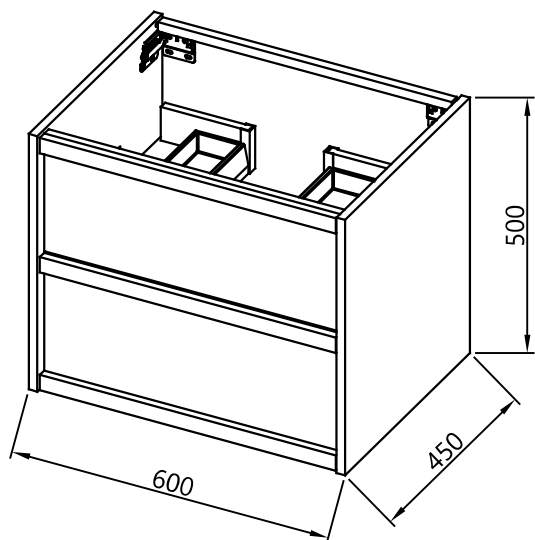


US 60/KERAMIKA UMIV. STORIA

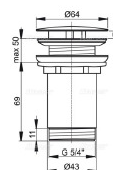


US 60/KERROCK UMIV. STORIA

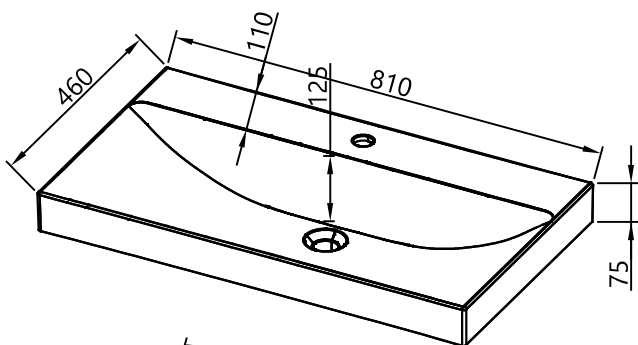


**OS 60 WH - Bela
OS 60 ACACIA**

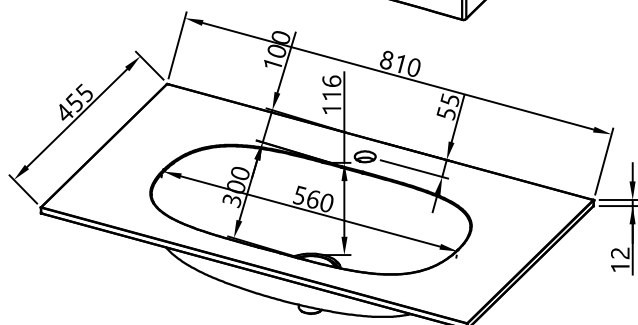
ZGORNJI DEL SIFONA PRILOŽEN PRI
KERROCK SKLEDAH
UPPER PART OF THE SIPHON WITH
KERROCK BASIN



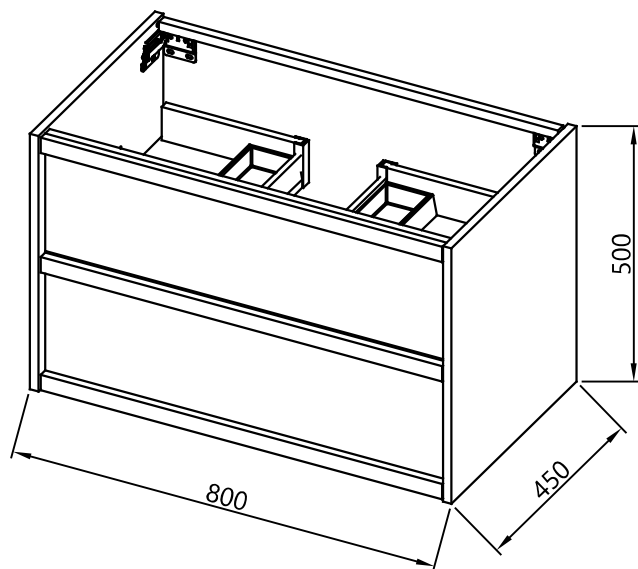
**STORIA
OS 60**



US 80/KERAMIKA UMIV.STORIA

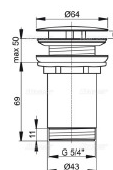


US 80/KERROCK UMIV.STORIA

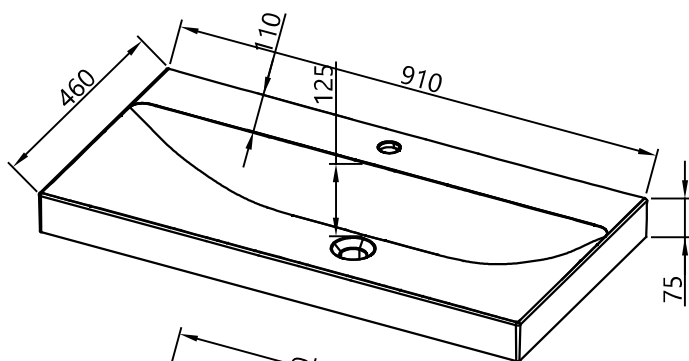


OS 80 WH - Bela
OS 80 ACACIA

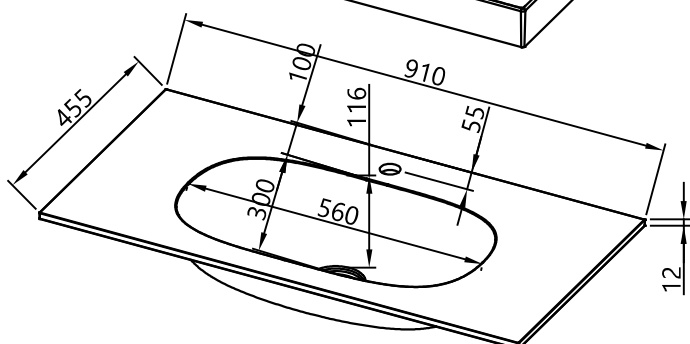
ZGORNJI DEL SIFONA PRILOŽEN PRI
KERROCK SKLEDAH
UPPER PART OF THE SIPHON WITH
KERROCK BASIN



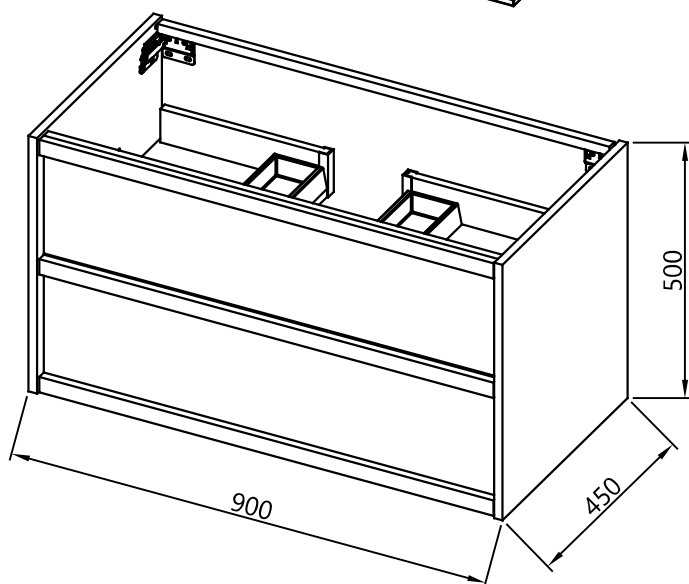
STORIA
OS 80



US 90/KERAMIKA UMIV.STORIA

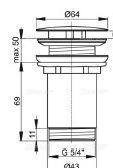


US 90/KERROCK UMIV.STORIA

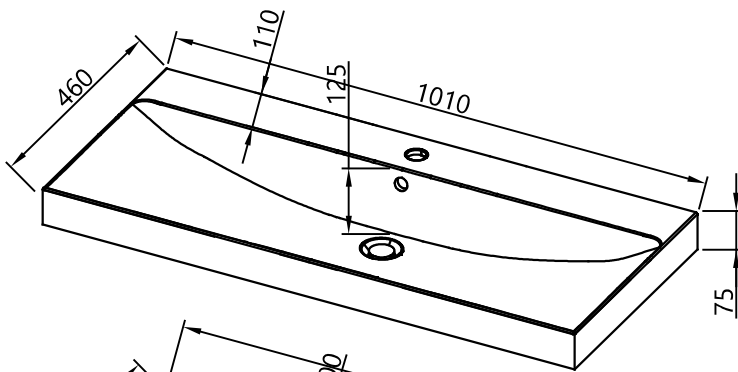


**OS 90 WH - Bela
OS 90 ACACIA**

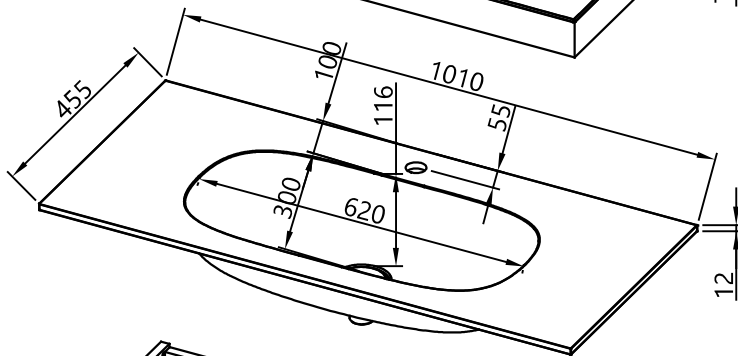
ZGORNJI DEL SIFONA PRILOŽEN PRI
KERROCK SKLEDAH
UPPER PART OF THE SIPHON WITH
KERROCK BASIN



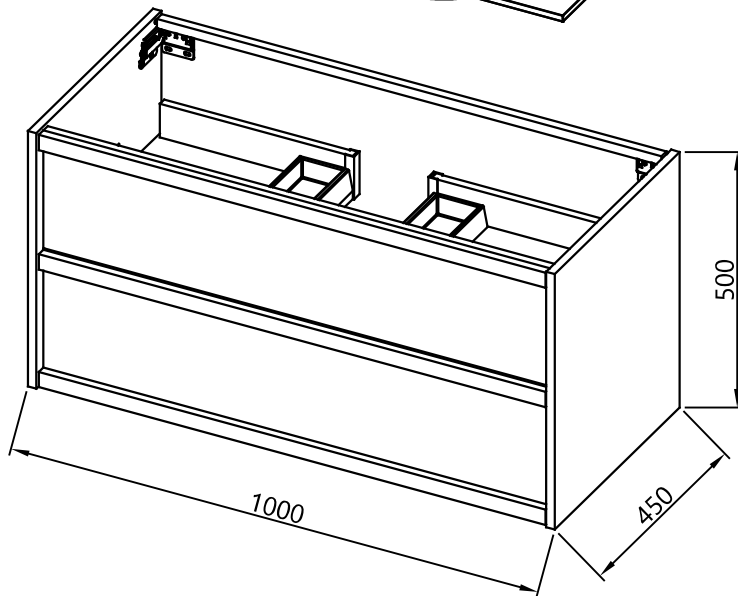
**STORIA
OS 90**



US 100/KERAMIKA UMIV.STORIA

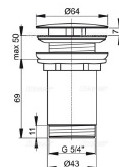


US 100/KERROCK UMIV.STORIA

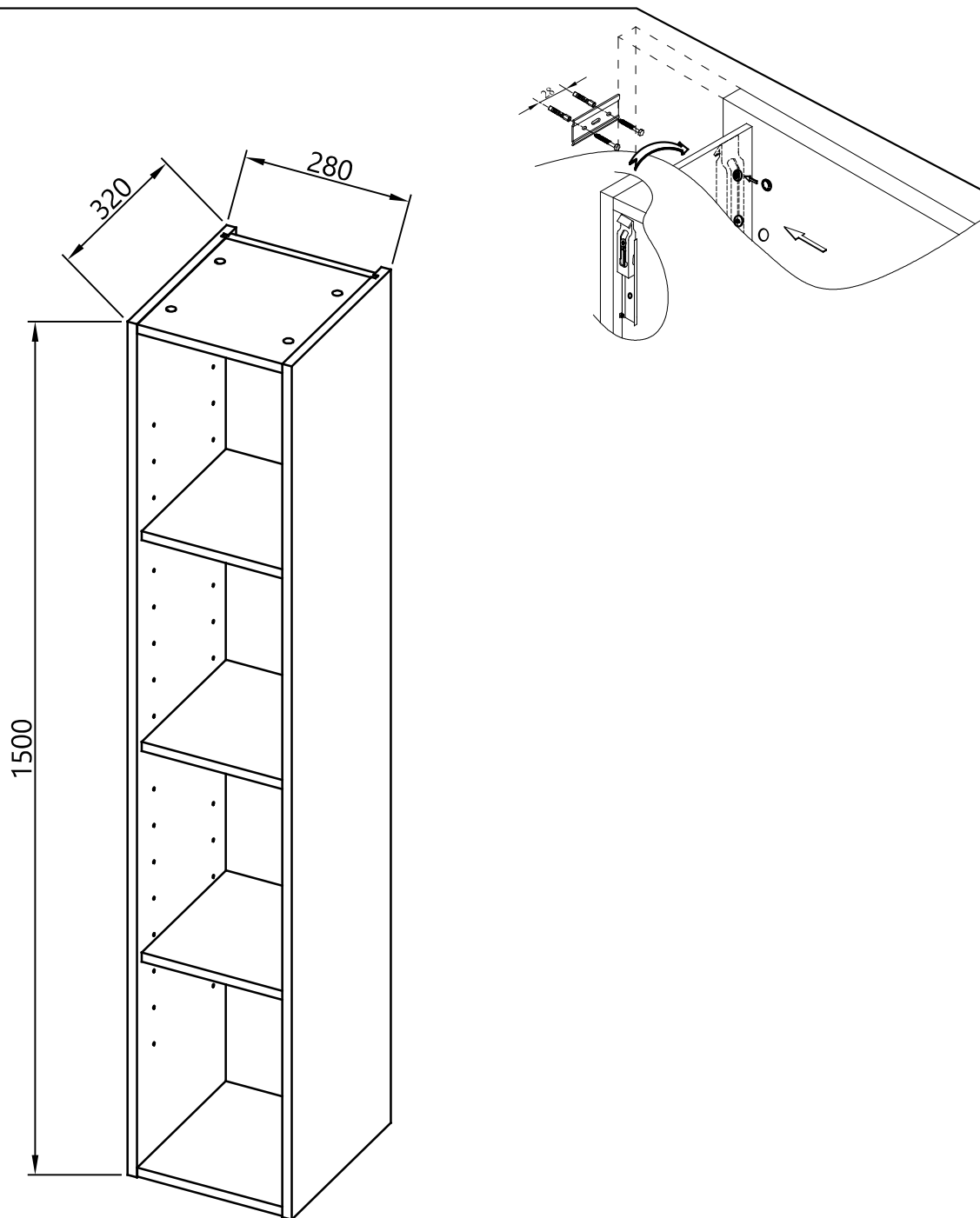


OS 100 WH - Bela
OS 100 ACACIA

ZGORNJI DEL SIFONA PRILOŽEN PRI
KERROCK SKLEDAH
UPPER PART OF THE SIPHON WITH
KERROCK BASIN

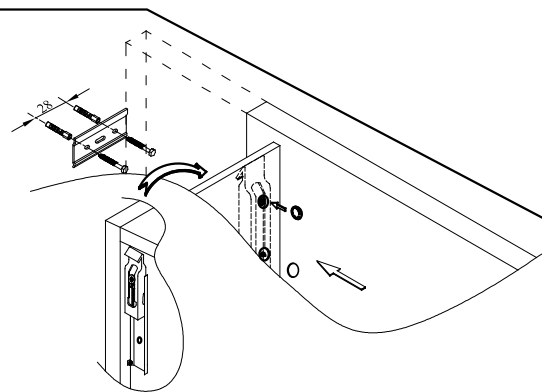
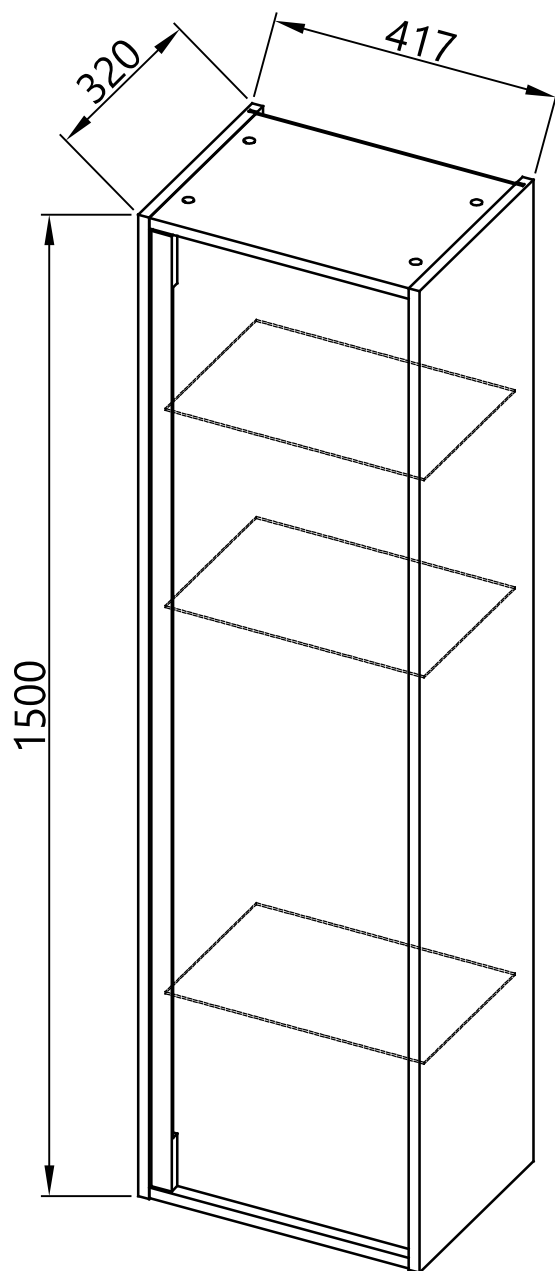


STORIA
OS 100



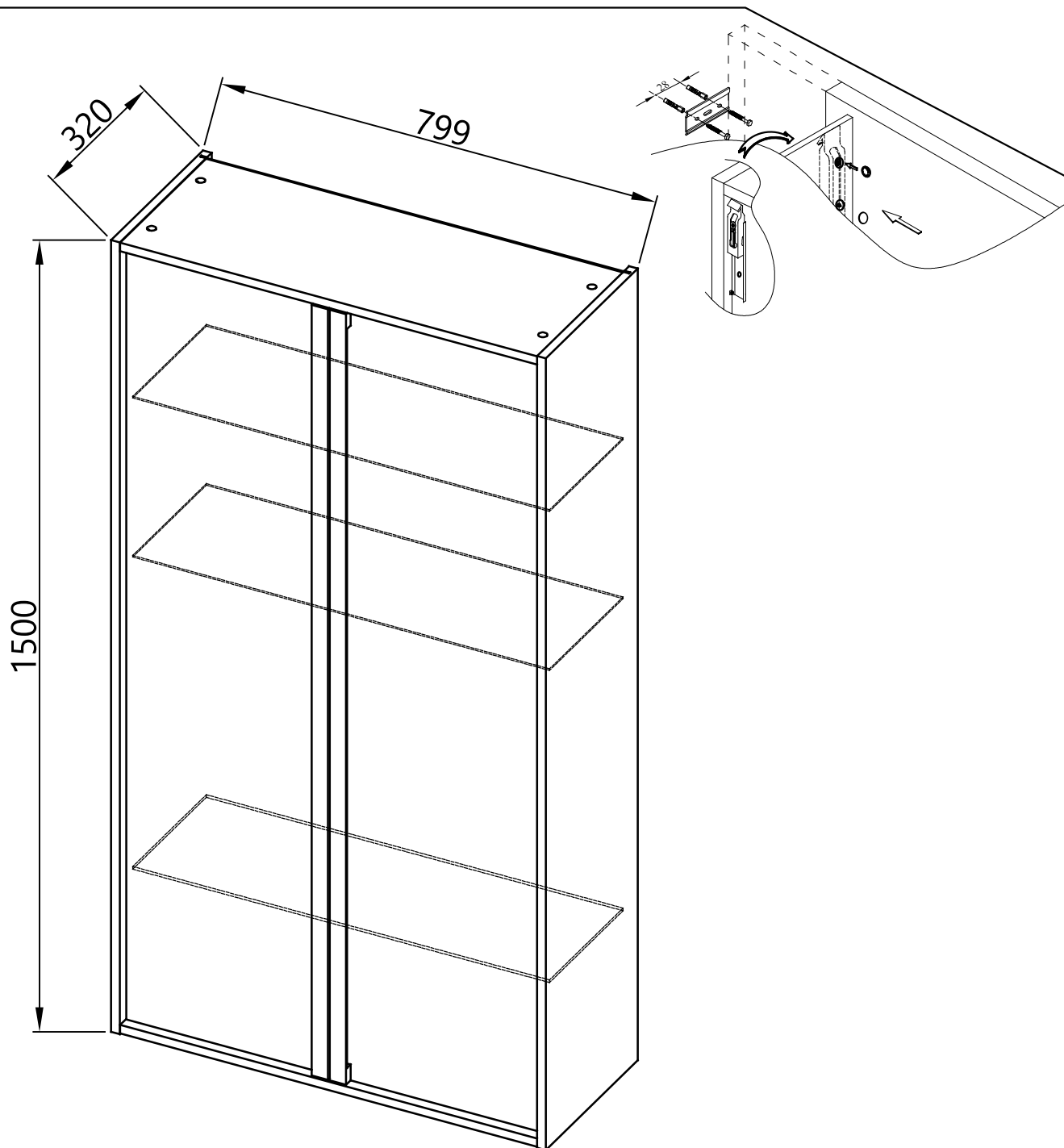
S 1500/280 WH
S 1500/280 ACACIA

STORIA
S 1500/280



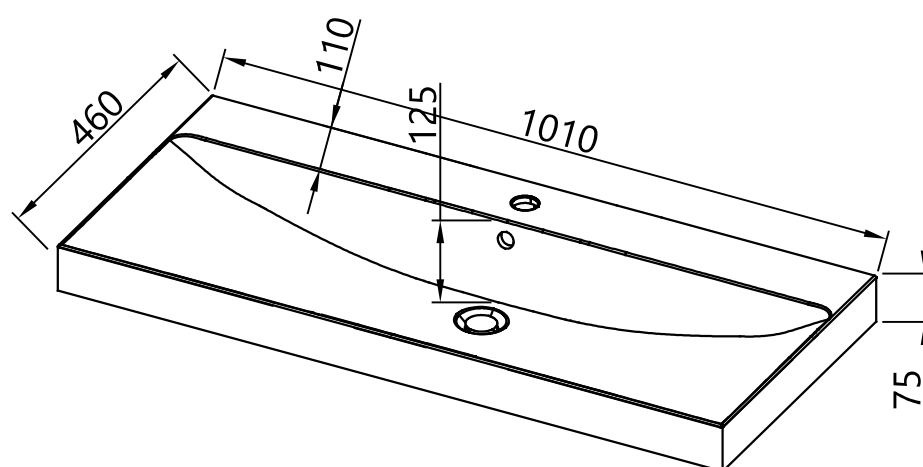
S 1502/420 WH
S 1502/420 ACACIA

STORIA
S 1502/420

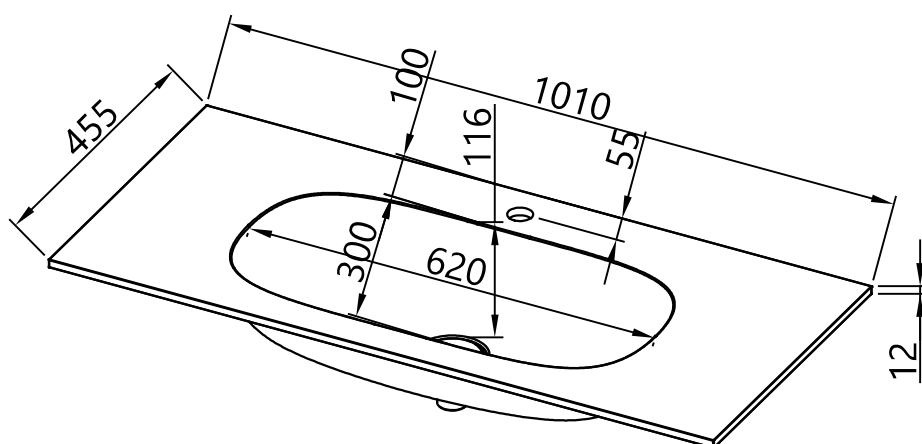


S 1502/800 WH
S 1502/800 ACACIA

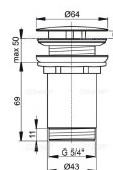
STORIA
S 1502/800



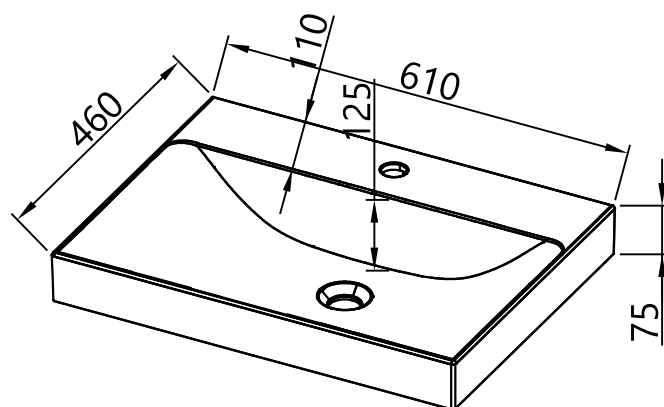
STORIA
US 100/KERAMIKA UMIV.STORIA



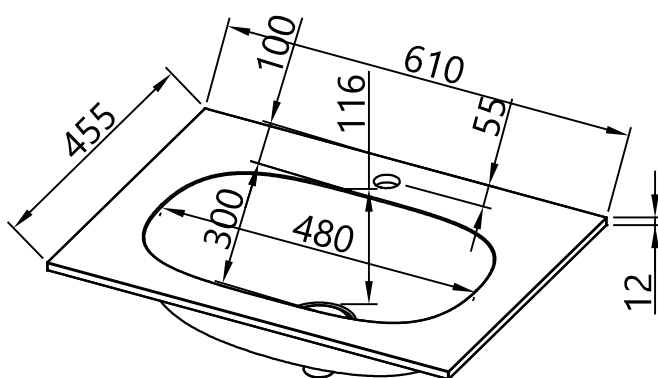
ZGORNJI DEL SIFONA PRILOŽEN PRI
KERROCK SKLEDAH
UPPER PART OF THE SIPHON WITH
KERROCK BASIN



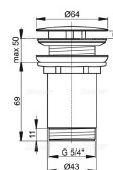
STORIA
US 100/KERROCK UMIV.STORIA



STORIA
US 60/KERAMIKA UMIV.STORIA

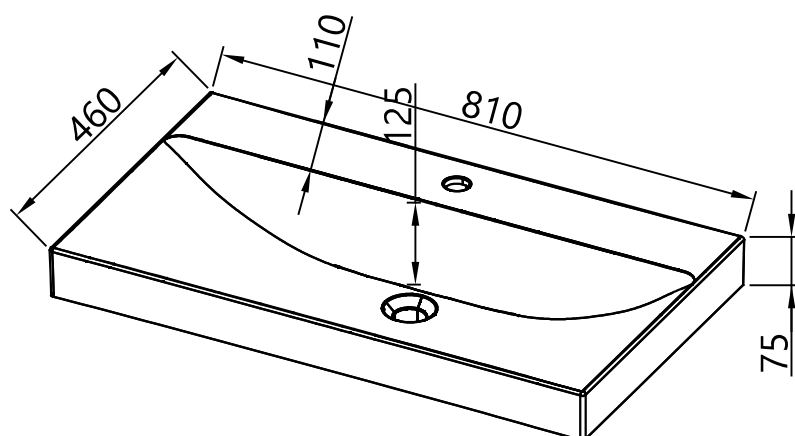


ZGORNJI DEL SIFONA PRILOŽEN PRI
KERROCK SKLEDAH
UPPER PART OF THE SIPHON WITH
KERROCK BASIN

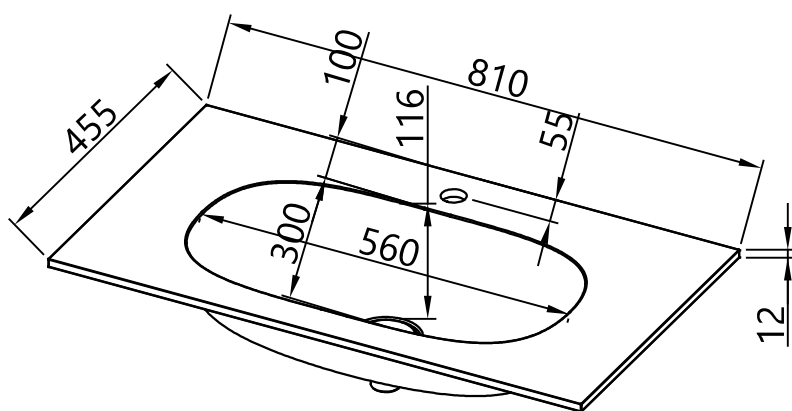


STORIA

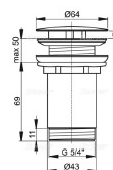
US 60/KERROCK UMIV.STORIA



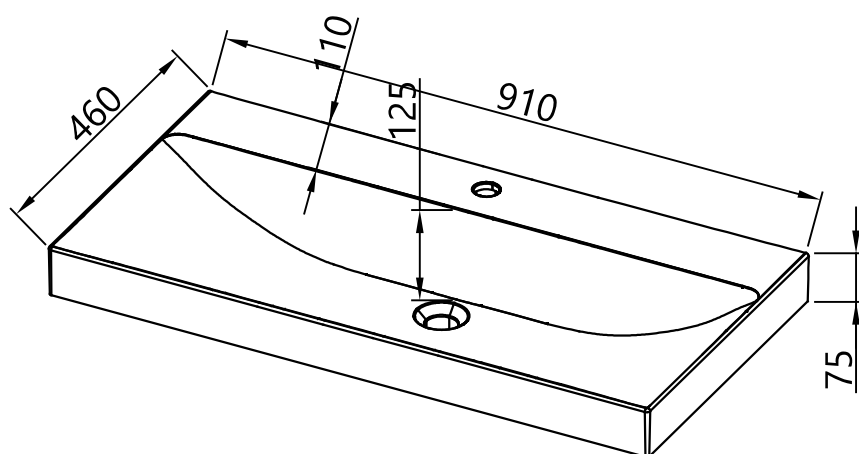
STORIA
US 80/KERAMIKA UMIV.STORIA



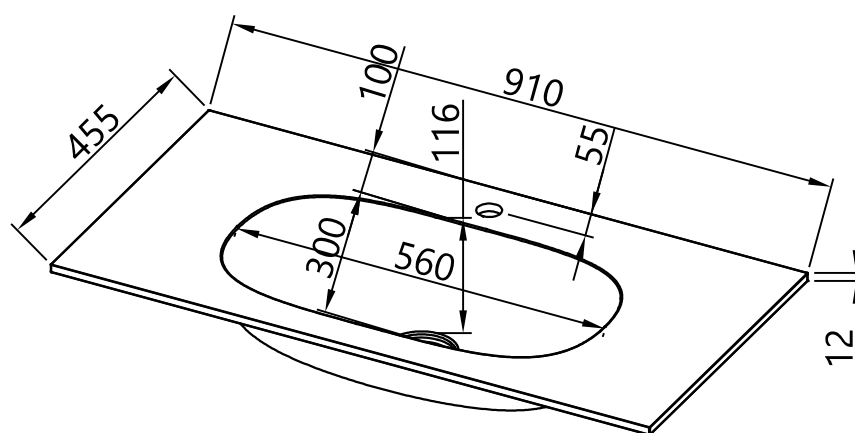
ZGORNJI DEL SIFONA PRILOŽEN PRI
KERROCK SKLEDAH
UPPER PART OF THE SIPHON WITH
KERROCK BASIN



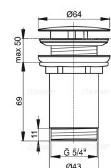
STORIA
US 80/KERROCK UMIV.STORIA



STORIA
US 90/KERAMIKA UMIV.STORIA



ZGORNJI DEL SIFONA PRILOŽEN PRI
KERROCK SKLEDAH
UPPER PART OF THE SIPHON WITH
KERROCK BASIN



STORIA
US 90/KERROCK UMIV.STORIA